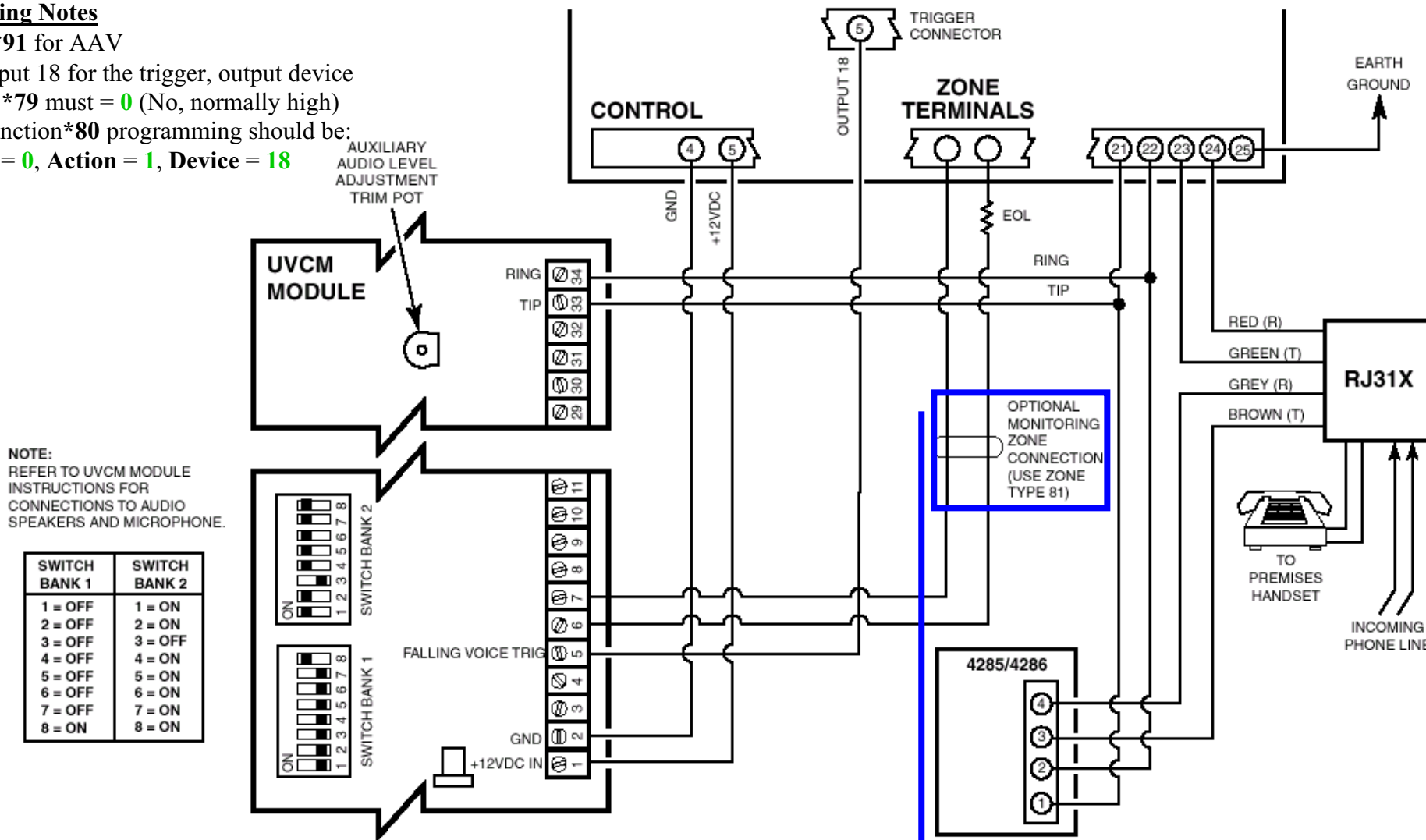


Connections for Two-Way Voice Operation with “Plus” Series Controls

Also showing **Optional Monitored Zone** feature on Revision 2 or higher, and “PS” controls

Programming Notes

- Set field *91 for AAV
- Using output 18 for the trigger, output device mapping in *79 must = 0 (No, normally high)
- In output function*80 programming should be:
ZT = 60, P = 0, Action = 1, Device = 18



Program a zone for zone type 81 [AAV Monitor], the panel will automatically sense the presence of this zone type and follow this new AAV Logic. Once the AAV session is started, the panel remembers that an AAV session is in process by monitoring the zone that is set to AAV Monitor zone type. When the AAV module faults this zone, the panel will block sounds to the keypad and bell, and it will stop all reports that are placed in the dialing queue from being sent to the central station and interrupting the AAV session. The only exception will be Fire Alarms, that will terminate the AAV session and a report will be sent immediately. When zone is restored (ZT81), the sounders will be restored and continue if the bell timeout hasn't already expired. Also the dialer will be re-enabled, all reports are sent as they occurred.

NOTE: When Monitor Zone option is not used or unavailable (previous rev.), AAV operation will work normally. Any additional alarm activations will disconnect AAV session and dial out to central station.